

*virucidal activity against human coronavirus HCoV-229E according to ISO 21702. On our PVC handrails, 99.96% of the virus eliminated after two hours



ESCORT'DUO & LINEA'DUO

PROTECTION HANDRAILS - 150 MM HIGH

BACTERICIDAL JOINT



APPLICATIONS

Escort'Duo and Linea'Duo protection handrails are designed to ensure the double purpose of wall protection and handrail, in corridors with high impacts of wheeled equipments.

Ideal for all public buildings (hospitals, clinics, reeducation centres, homes for the elderly), they provide different choices:

- Select the shape of the upper part of the handrail: round with Escort'Duo or trilobed with Linea'Duo.
- Select the one-colour or the two-colour option to differentiate the handrail from the protection rail.

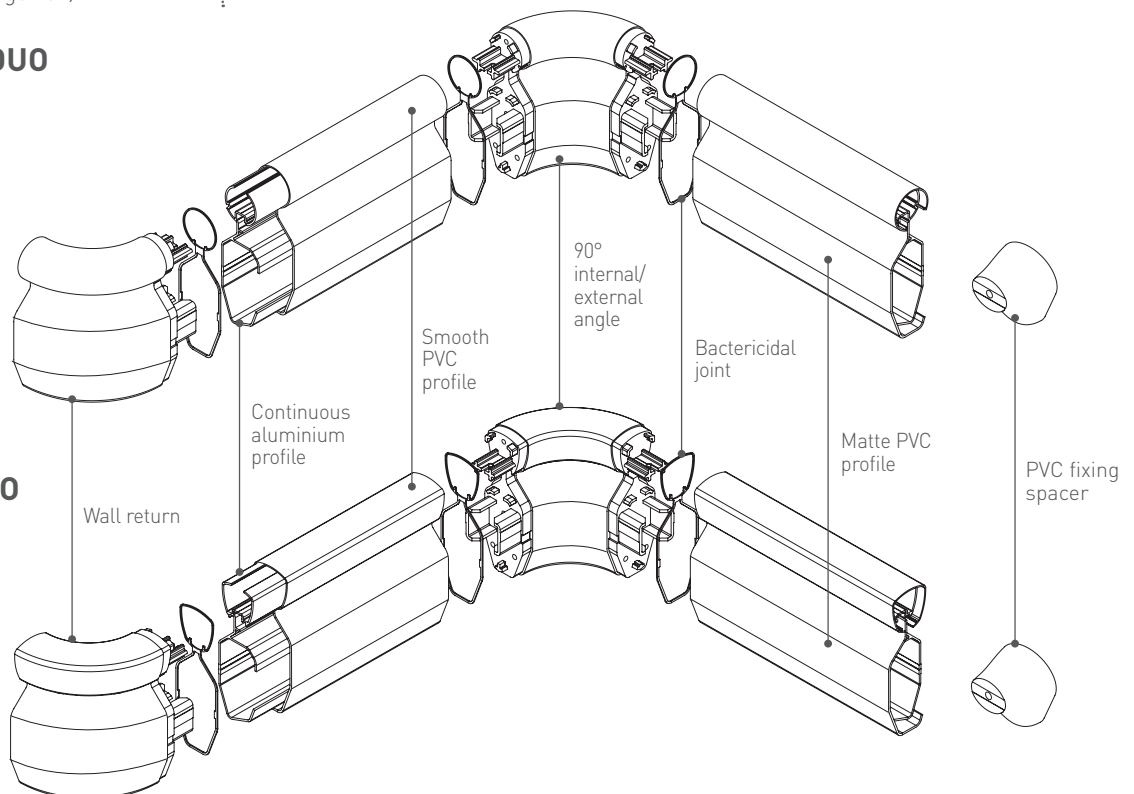
They are fitted with bactericidal joints (refer to page 102).

SPECIFICATION

- Description: protection handrail (Escort'Duo or Linea'Duo as manufactured by SPM) from 2 mm thick and antibacterial PVC achieving Bs2d0 reaction to fire classification with solid colour. The height of the handrail is 150 mm, it has an overall protection of 95 mm and a depth of 50 mm. It consists of a tubular and smooth upper part: 40 mm round handrail (Escort'Duo) or 40 mm width trilobed handrail (Linea'Duo) and a lower matte wall protection rail. The PVC profiles snap-fix onto continuous aluminium profiles, 2 mm thick, and finish is provided by antibacterial PVC accessories, smooth for the handrail and matified for the protection rail (wall returns, 90° internal/external angles). The unit is fitted into a PVC fixing spacer. They are fitted with bactericidal joints.
- Environment: no heavy metals and no substance potentially subjected to any REACH restriction are used in its manufacture, nor PBT/BPA. The calcium-zinc thermal stabilisation process is used. The emission level of volatile substance in inside air has been tested according to ISO 16000-6 and is very low (A+) according to the French regulation (23 March 2011 nr 2011-321 Decree and 19 April 2011 Order). 100% of the product are recyclable.
- Colour: selected by architects from manufacturer's standard range.
- Installation method: upper edge of section 0.90 m max. above floor level. Fixing on PVC spacers to be fitted at 0.80 m centres (0.60 m centres in heavy traffic corridors and on light partitions like plasterboard). Wall returns and angles fixing with self-drilling screws.

ESCORT'DUO

LINEA'DUO





* and 36 colours on order

∇ Colours on order

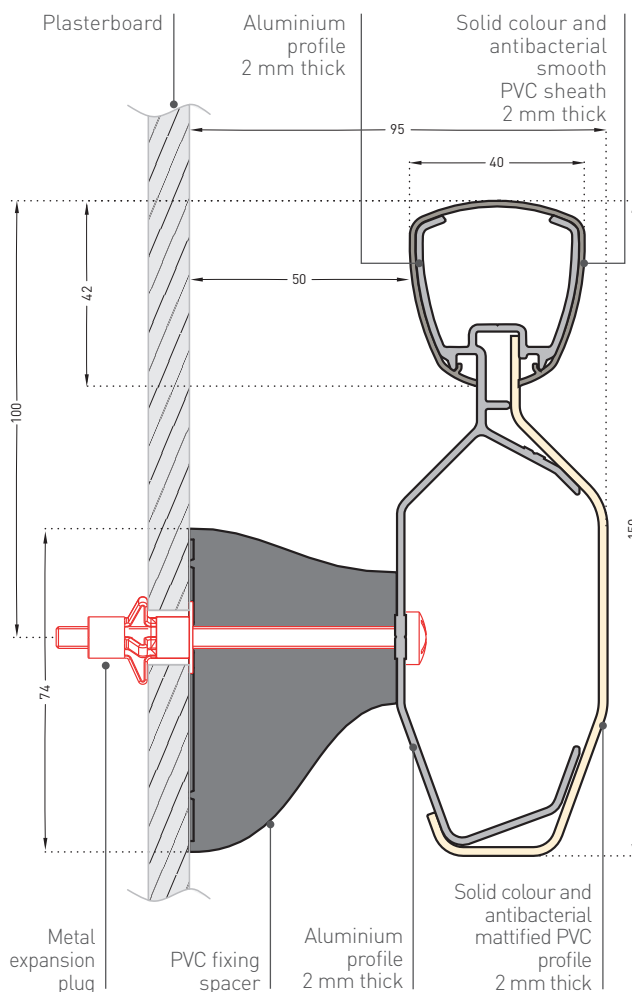
Colours available per product: please see the colour summary hinge



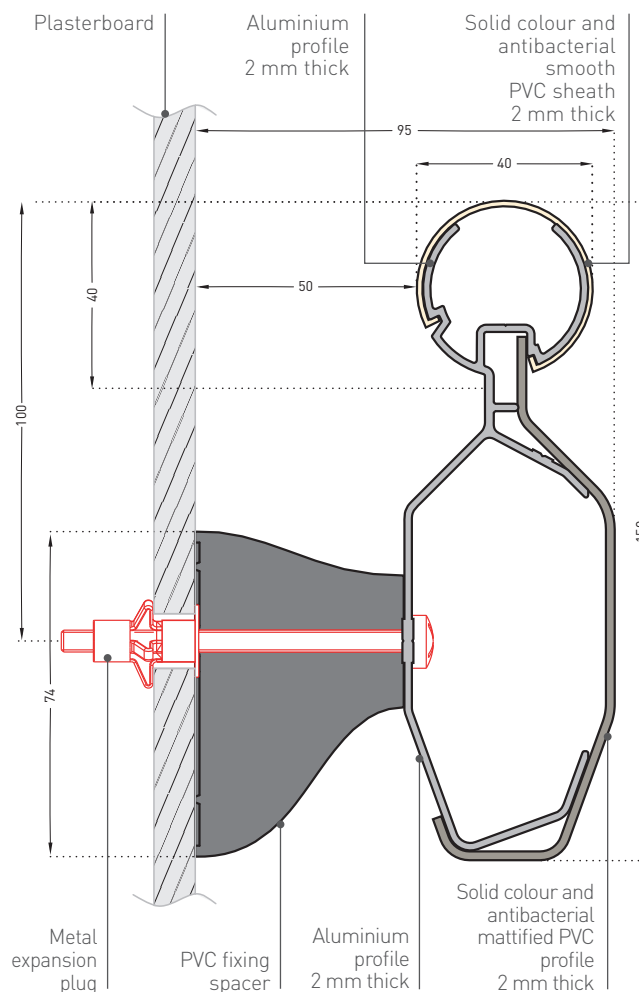
DESCRIPTION

- Model: Escort'Duo or Linea'Duo protection handrail
- Height: 150 mm
- Length: 4 m
- Tubular upper part:
 - 40 mm diameter (Escort'Duo)
 - 40 mm width (Linea'Duo)
- Depth: 50 mm
- Overall projection: 95 mm
- Stand-off from the wall: 50 mm
- Material: 2 mm thick antibacterial and Bs2d0 fire-rated PVC, solid colour, bactericidal joint
- Surface finish:
 - upper handrail: smooth
 - protection rail: matte
- Fixing: on PVC spacers to be fitted at 0.80 m centres (0.60 m centres in heavy traffic corridors and on light partitions like plasterboard)
- Colours to combine:
 - 28 in stock and 11 on order for the handrail (upper part)
 - 3 in stock and 36 on order for the protection rail (lower part)

LINEA'DUO



ESCORT'DUO



Specifications and section drawings on our website www.spm-international.com



bimobject BimObject in Revit and Archicad